

Features

- 1.2 gpm (gallons per minute) maximum flow rate.
- 4-3/16" (107 mm) stationary spout reach.
- For 4" centers.
- Single lever handle allows for both volume and temperature control.
- Red/blue indexing on handle.
- Temperature memory allows faucet to be turned on and off at the temperature set during prior usage.
- Includes plastic pop-up drain with 1-1/4" tailpiece.
- Coordinates with Coralais faucets, accessories, and showering components to complete your bathroom.

Material

- Premium metal construction.
- KOHLER finishes resist corrosion and tarnishing.

Technology

- KOHLER ceramic disc valves exceed industry longevity standards for a lifetime of durable performance.

Installation

- Bath- or deck-mount.
- Pre-attached flexible supply lines simplify installation.
- Pre-assembled handle and flexible supply hoses simplify installation.

Optional Products/Accessories

1160594 .35 gpm Aerator, Large



ADA CSA B651 OBC

Codes/Standards

ASME A112.18.1/CSA B125.1

NSF/ANSI 61

NSF/ANSI 372

All applicable US Federal and State material regulations

DOE - Energy Policy Act 1992

EPA WaterSense®

California Energy Commission (CEC)

ADA

ICC/ANSI A117.1

CSA B651

OBC

KOHLER® Faucet Lifetime Limited Warranty

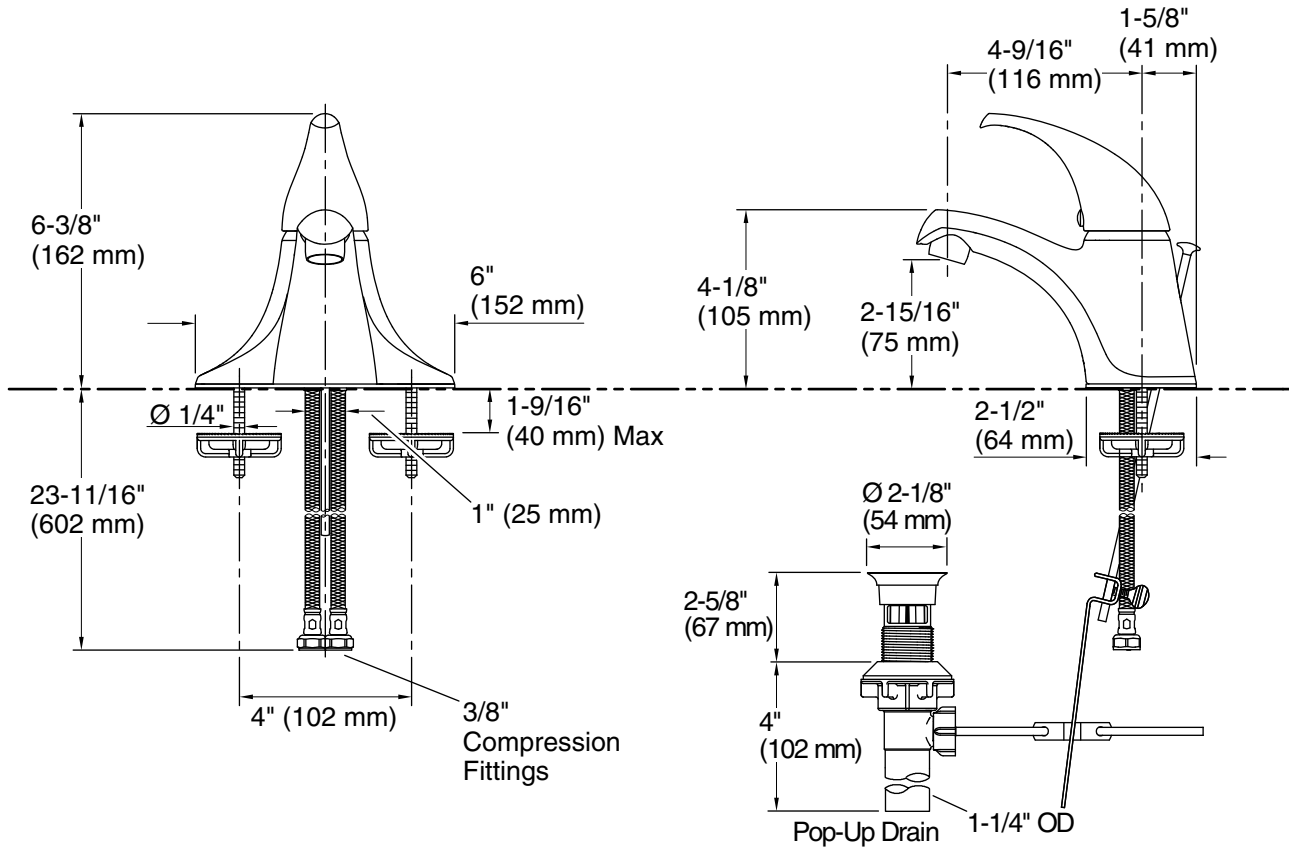
See website for detailed warranty information.

Available Colors/Finishes

Color tiles intended for reference only.

Color	Code	Description
-------	------	-------------

	CP	Polished Chrome
	G	Brushed Chrome



Technical Information

All product dimensions are nominal.

Faucet:

Flow rate: 1.2 gal/min (4.5 l/min)

Pressure: 60 psi (4.1 bar)

Valve body: Plastic

Drain included: Yes

Drain with overflow: Yes

Drain tailpiece included: Yes

Spout:

Spout reach: 4-3/16" (107 mm)

Notes

Install this product according to the installation guide.

ADA, OBC, CSA B651 compliant when installed to the specific requirements of these regulations.